

Earth Class Mail Deploys SSL Encryption/Re-Encryption for AJAX-Powered Web Mail Applications

“A10’s aXAPI within the A10 ADC server load balancers allows our developers to remotely perform or automate tasks, such as adding and removing servers as needed. The beauty of A10’s approach is that it is a REST-based API versus other more complicated approaches. This requires less of a learning curve, is easier to understand and enables integration between the applications and the networking equipment.”

Derek Hill

Director of IT, Earth Class Mail

Situation

Earth Class Mail, based in Seattle WA, provides the only online postal-mail service designed for individuals, small businesses, enterprises, government agencies and the military. Customers in more than 175 countries currently access and manage their mail online, at any time and from anywhere there’s an Internet connection. For enterprises and government agencies, Earth Class Mail digitizes paper mail at its entry point, injecting it directly into an organization’s electronic workflow and saving 75% of typical document lifecycle costs.

Earth Class Mail required a new server load balancer solution to load-balance the Web servers that run the business-critical AJAX-powered Web mail applications. The AJAX Web applications are high-volume with millions of XML formatted messages passed daily.

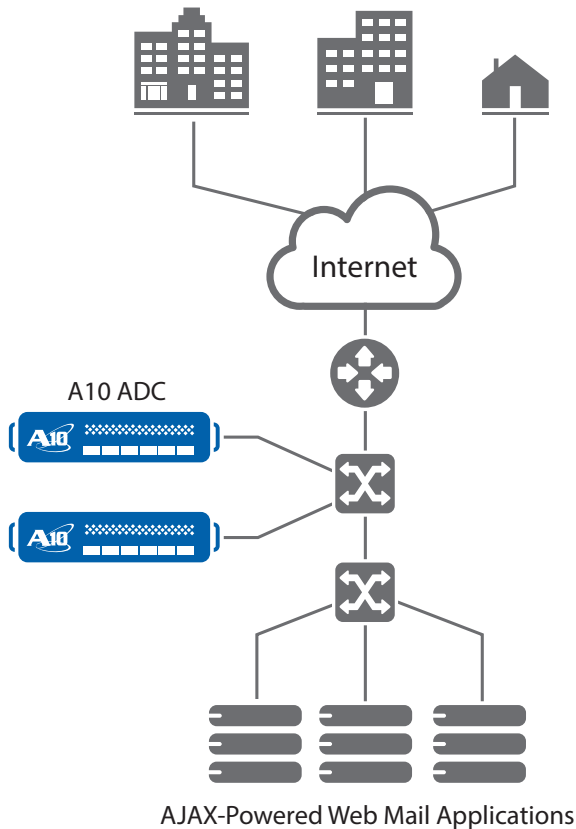
Solution

Given the requirement for privacy and protection of personal information in its online postal-mail service, Earth Class Mail needed a load balancer that can encrypt and re-encrypt SSL on the backend. Because its previous load balancer could not perform the SSL encryption/re-encryption, Earth Class Mail compared competitors’ products and selected A10 Networks’ Application Delivery Controllers’ server load balancers. The SSL functionality combined with the industry-leading price/performance and support were key competitive differentiators for the A10 ADC.

While in production, Earth Class Mail tested A10 ADCs’ aXAPI®, which is a REST-style XML API. Earth Class Mail quickly saw the benefits of the REST-style approach to incumbent vendors’ SOAP-based approaches due to simpler and quicker integration with the existing Web mail applications. In addition, Earth Class Mail relies on A10 ADCs’ aFlex® scripting for advanced Layer 7 application traffic control. With aFlex scripts, Earth Class Mail can now effectively add and remove servers from the server group, based on traffic load.



Earth Class Mail™
YOUR POSTAL MAIL ONLINE



sizes benefit from application availability, scalability and performance, increased infrastructure efficiency and a faster end user experience. The A10 ADC has a comprehensive Layer 4-7 feature set and flexible virtualization technologies such as A10 Networks aVCS™ Virtual Chassis System, multi-tenancy and more for public, private and hybrid cloud environments. In addition, A10 leads in IPv6 migration technologies with many large-scale deployments worldwide.

A10 ADC delivers an industry-leading return on investment (ROI) by leveraging A10's 64-bit Advanced Core Operating System (ACOS), with a scalable shared-memory parallelism architecture that surpasses the competition in scalability and flexibility.

For more information, visit: www.a10networks.com/products/application_delivery_controllers.php

About Earth Class Mail

Earth Class Mail's system digitizes envelopes at midstream of the delivery process, presenting two-sided color images of incoming envelopes to customers via email and in customers' secure online accounts. Then, for each new mail item, customers can use Earth Class Mail's patent-pending Recipient Choice™ technology to have the item opened and the contents confidentially scanned for secure online viewing, or to have it shredded, archived, delivered to the right desk, transferred to another person without need of inter-office mail systems, or forward-shipped to another location. For more information, visit: www.earthclassmail.com

About A10 Networks

A10 Networks is a leader in application networking, providing a range of high-performance application networking solutions that help organizations ensure that their data center applications and networks remain highly available, accelerated and secure. Founded in 2004, A10 Networks is based in San Jose, California, and serves customers globally with offices worldwide. For more information, visit: www.a10networks.com

Success

Upon deploying the A10 ADC, Earth Class Mail's high-volume Web applications and Web servers are performing optimally, enabling the company to excel at delivering a unique digital-mail service to its customers that streamlines document management, increases employee productivity, reduces costs of delivery and benefits the environment.

About A10 Application Delivery Controllers

A10 ADC is a scalable, high-performance application networking platform that delivers enterprises, web properties and Internet Service Providers (ISPs) with superior reliability and an energy-efficient footprint for low total cost of ownership (TCO). With A10 ADC, customers of all

Corporate Headquarters

A10 Networks, Inc
 3 West Plumeria Ave.
 San Jose, CA 95134 USA
 Tel: +1 408 325-8668
 Fax: +1 408 325-8666
www.a10networks.com

Worldwide Offices

North America
sales@a10networks.com
Europe
emea_sales@a10networks.com
South America
latam_sales@a10networks.com
Japan
jinfo@a10networks.com
China
china_sales@a10networks.com

Taiwan
taiwan@a10networks.com
Korea
korea@a10networks.com
Hong Kong
HongKong@a10networks.com
South Asia
SouthAsia@a10networks.com
Australia/New Zealand
anz_sales@a10networks.com

To learn more about the A10 Thunder Application Service Gateways and how it can enhance your business, contact A10 Networks at: www.a10networks.com/contact or call to talk to an A10 sales representative.

Part Number: A10-CS-80146-EN-01
 Mar 2015